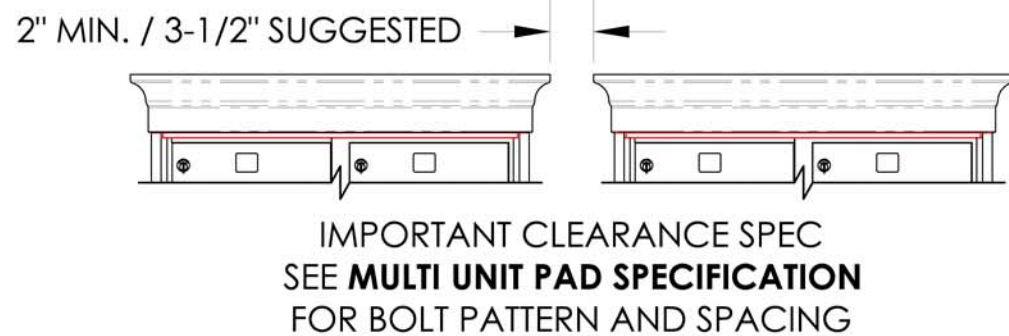
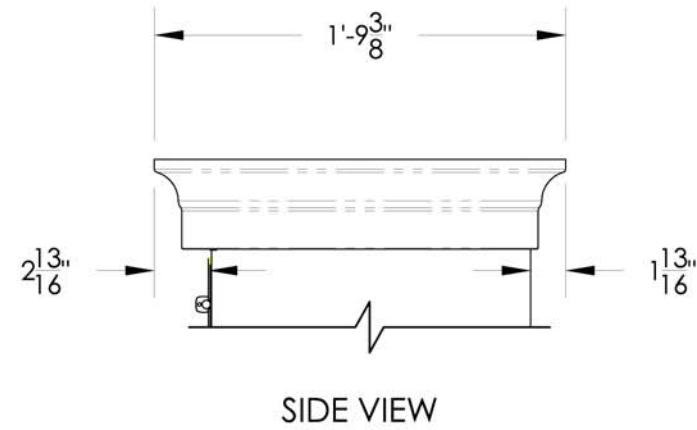
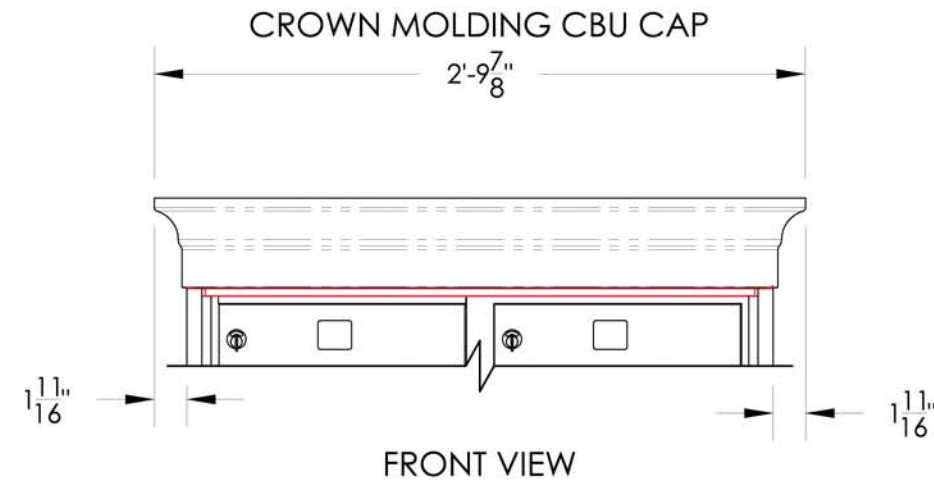
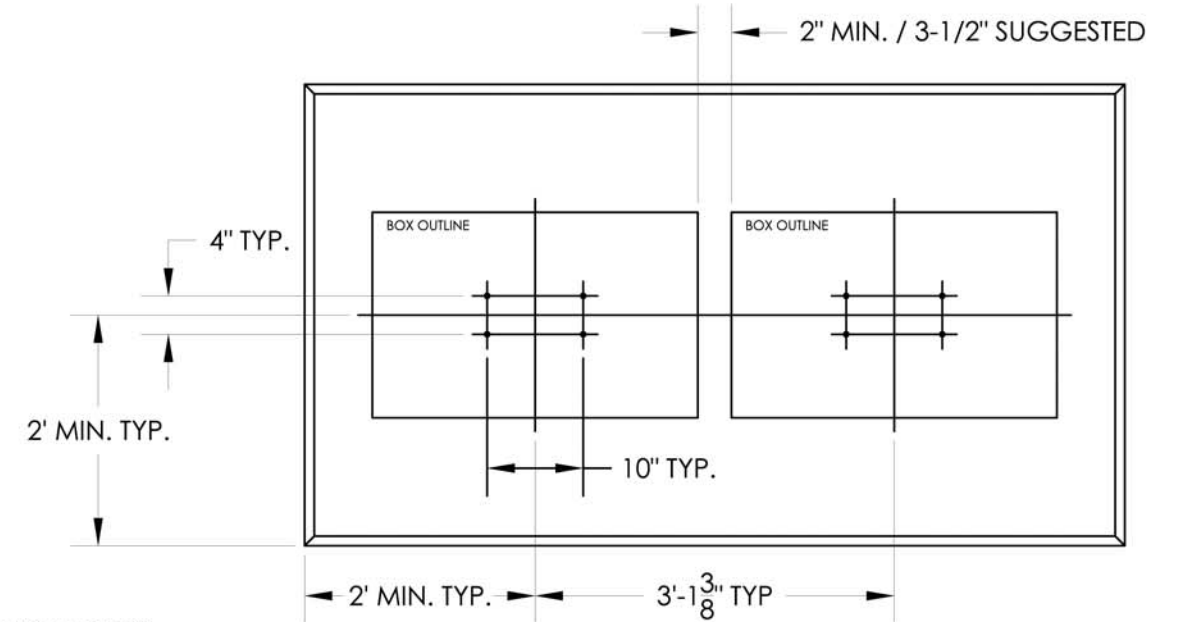
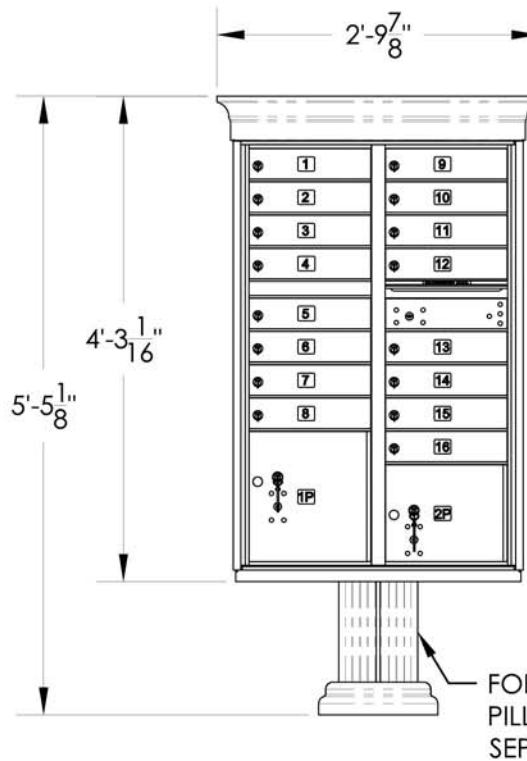
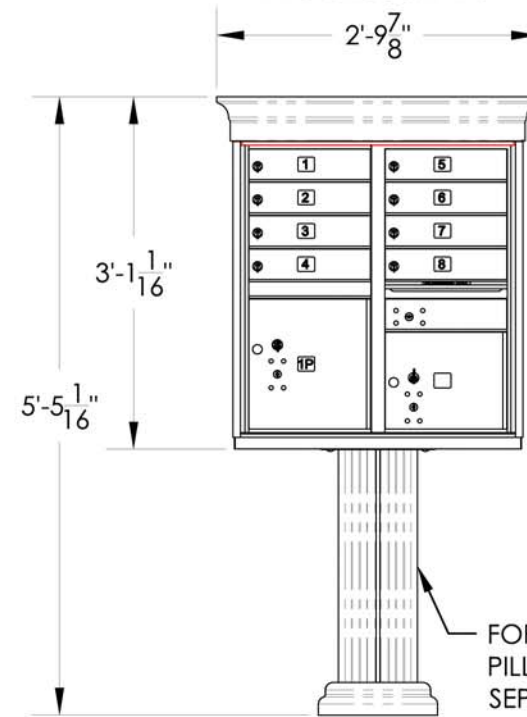


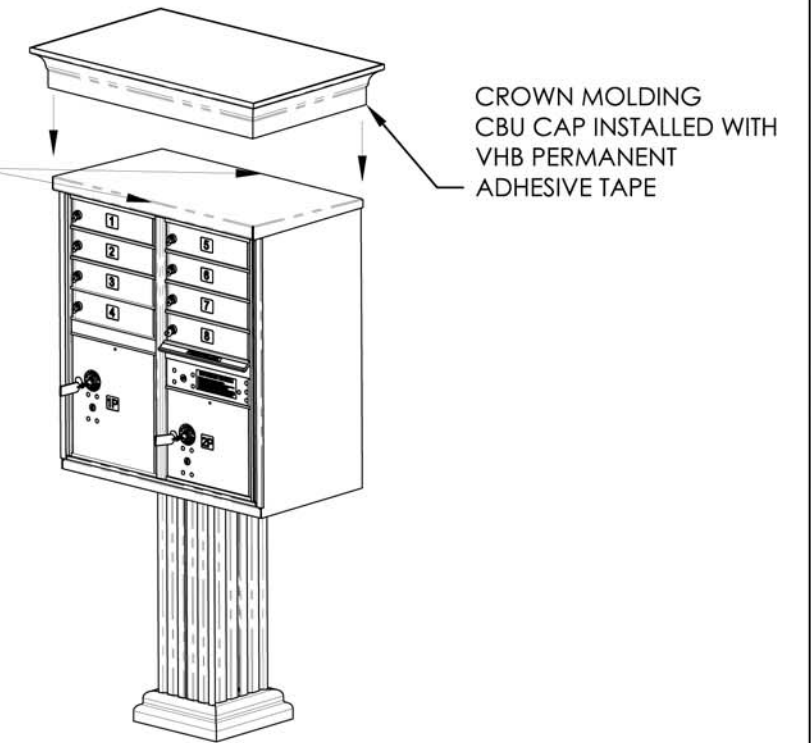
MULTI-UNITS PAD SPECIFICATION



1570 CBU SERIES VIEW WITH INSTALLED ACCESSORIES



CLEAN COMPLETE UPPER SURFACES WITH A DAMP CLOTH THEN WIPE DOWN FRONT AND REAR TOP EDGES WITH ALCOHOL PAD



NOTES:

1. CROWN MOLDING CAP DESIGN REQUIRES ADDITIONAL SPACE BETWEEN CBU'S FOR MULTIPLE CBU INSTALLATIONS. SEE IMPORTANT CLEARANCE SPEC ABOVE.
2. CAP AND PEDESTAL COVER SOLD SEPARATELY.
3. CROWN MOLDING CAP AVAILABLE IN ALL STANDARD CBU POWDER COAT FINISHES.
4. CAP INSTALLED USING PERMANENT VHB ADHESIVE TAPE. NO HARDWARE NECESSARY.
5. CROWN MOLDING CAP DESIGNED TO FIT OVER FLORENCE 1570 SERIES CBU.

PRODUCT SERIES: VOGUE™ CBU ACCESSORIES

NATIONAL MAILBOXES
A DIVISION OF NMHP INC.
North America's Commercial & Residential Mailbox Leader!
Address: P.O. Box 13144, Wauwatosa, WI 53213
Phone Number: 1-800-676-5161
Website: www.NationalMailboxes.com

MODEL	CROWN MOLDING CAP	REV	-
SCALE	NONE	DATE	1/1/2008
DRAWING NUMBER	VOGUEC1CS	DRAWN BY	AFD
		SHEET	1 OF 1