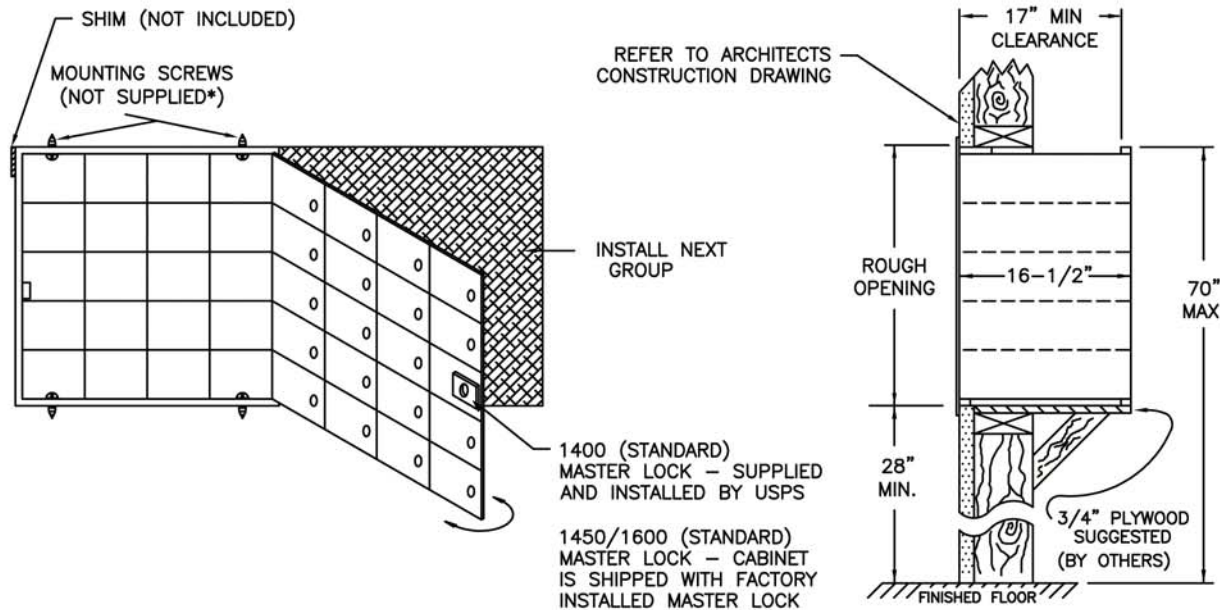


# 1400/1450/1600 CABINET INSTALLATION INSTRUCTIONS (FRONT LOAD)



NOTE: WHEN SNAP ON TRIM IS USED, CABINET MUST PROJECT 3/8" BEYOND FINISHED WALL TO MAKE A FLUSH SURFACE BETWEEN THE CABINET AND THE TRIM, SEE OPTIONAL TRIM DETAIL.

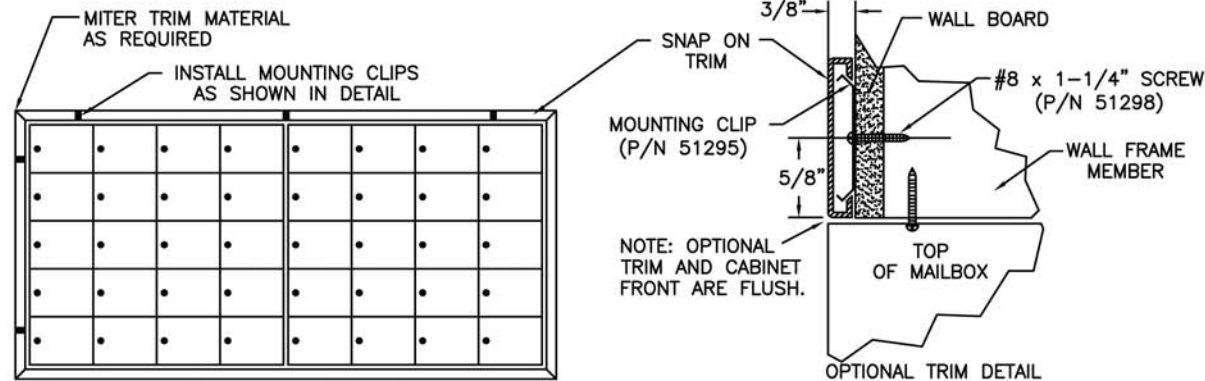
1. SLIDE FIRST GROUP OF BOXES INTO THE ROUGH OPENING IN WALL.
2. SHIM AS NECESSARY FOR GATE TO OPEN AND CLOSE FREELY. INSTALL AND TIGHTEN MOUNTING SCREWS\* (2 IN TOP AND 2 IN BOTTOM).
3. INSTALL NEXT GROUP OF BOXES THE SAME AS ABOVE.

NEXT STEPS ONLY FOR CABINETS WITH OPTIONAL SNAP ON TRIM

4. SCREW MOUNTING CLIP TO WALL USING #8 X 1-1/4" SCREWS, SEE OPTIONAL TRIM DETAIL.
5. HOOK ONE EDGE OF TRIM OVER LEG OF CLIP AND SNAP OVER SECOND LEG OF CLIP.

\* FOR CONVENTIONAL LUMBER WE RECOMMEND A #8 X 2" FLAT HEAD WOOD SCREW.

## OPTIONAL SNAP ON TRIM MOUNTING DETAILS



USPS STD-4C COMPLIANT MAILBOX SYSTEMS ARE MANDATORY FOR ALL **NEW CONSTRUCTION AND MAJOR RENOVATIONS**. MAILBOXES THAT ARE 4B+ COMPLIANT WILL ONLY BE CONSIDERED USPS APPROVED IF THEY ARE **REPLACING** EXISTING MAILBOXES. CHECK WITH LOCAL POSTAL OFFICIAL PRIOR TO INSTALLING MAILBOX.

1400 SERIES ARE 4B+ COMPLIANT  
1450/1600 SERIES ARE NOT 4B+ COMPLIANT

## PRODUCT SERIES: RECOMMENDED MOUNTING DETAILS FOR 1400/1450/1600 SERIES F/L MAILBOXES



**NATIONALMAILBOXES**  
— A DIVISION OF NMHP INC.

*North America's Commercial & Residential Mailbox Leader*

Address: P.O. Box 13144, Wauwatosa, WI 53213  
Phone Number: 1-800-676-5161  
Website: [www.NationalMailboxes.com](http://www.NationalMailboxes.com)

MODEL	AF HORZ.	REV	A
SCALE	1:16	LAST REV DATE	7/2/2009
DRAWING NUMBER	CS2057		
DRAWN BY	NBC		